



Current Transducers Technical Specification

v1.0

Current transducer 100A

Specification

Working voltage	Phase voltage ≤ 720
Working temperature	$-25\text{ }^{\circ}\text{C} \sim 60\text{ }^{\circ}\text{C}$
Frequency range	50 Hz \sim 1kHz
Input current	100 A
Accuracy	$\pm 1\%$
Max cable diameter	13 mm
Weight	50g



Outline size: (in:mm ± 0.5)

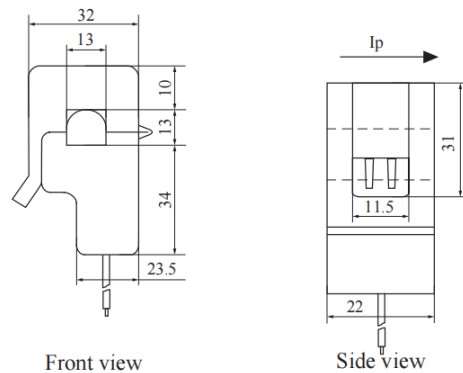


Figure 1 Current transducer 100A with dimensions. www.poweruc.pl.

Current transducer 160A

Specification

Working voltage	Phase voltage ≤ 720
Working temperature	$-30\text{ }^{\circ}\text{C} \sim 70\text{ }^{\circ}\text{C}$
Frequency range	50 Hz ~ 60 Hz
Input current	160 A
Accuracy	$\pm 1\%$
Max cable diameter	65 mm
Weight	592 g



Outline size: (in:mm ± 0.5)

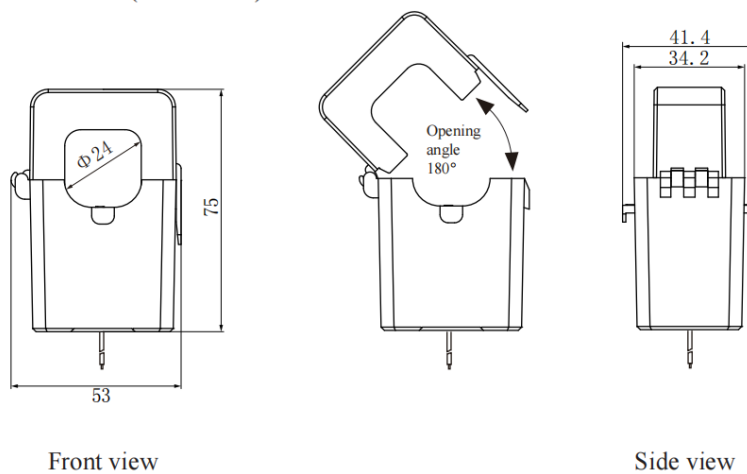


Figure 2 Current transducer 160A with dimensions. www.poweruc.pl

Current transducer 200A

Specification

Working voltage	Phase voltage ≤ 720
Working temperature	$-40\text{ }^{\circ}\text{C} \sim 85\text{ }^{\circ}\text{C}$
Frequency range	50 Hz ~ 60 Hz
Input current	600 A
Accuracy	$\pm 1\%$
Max cable diameter	45 mm
Weight	325 g



Outline size: (in:mm ± 0.5)

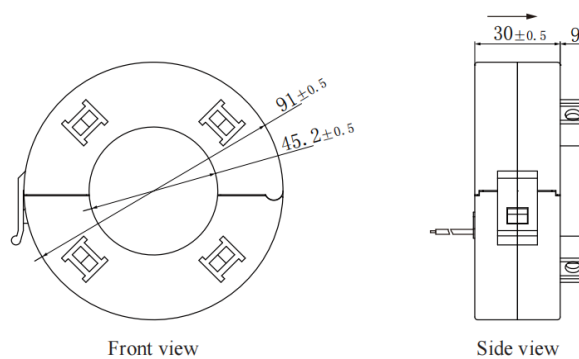


Figure 3 Current transducer 200A with dimensions. www.poweruc.pl

Current transducer 400A

Specification

Working voltage	Phase voltage ≤ 720
Working temperature	$-40\text{ }^{\circ}\text{C} \sim 85\text{ }^{\circ}\text{C}$
Frequency range	50 Hz ~ 60 Hz
Input current	600 A
Accuracy	$\pm 1\%$
Max cable diameter	45 mm
Weight	325 g



Outline size: (in:mm ± 0.5)

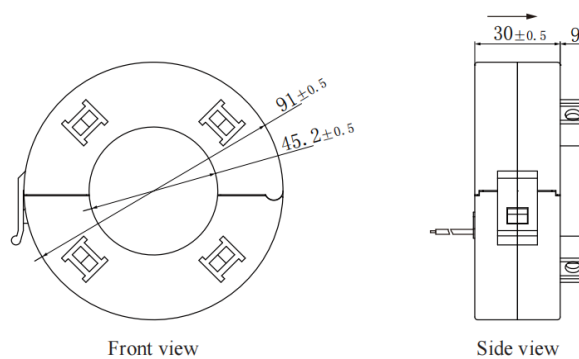


Figure 4 Current transducer 400A with dimensions. www.poweruc.pl

Current transducer 600A

Specification

Working voltage	Phase voltage ≤ 720
Working temperature	$-30\text{ }^{\circ}\text{C} \sim 65\text{ }^{\circ}\text{C}$
Frequency range	50 Hz \sim 60 Hz
Input current	600 A
Accuracy	$\pm 1\%$
Max cable diameter	45 mm
Weight	325 g



Outline size: (in:mm \pm 0.5)

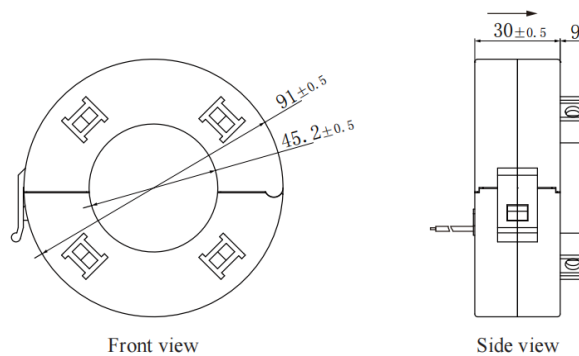
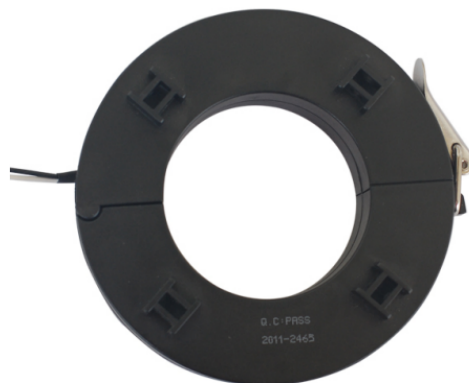


Figure 5 Current transducer 600A with dimensions. www.poweruc.pl

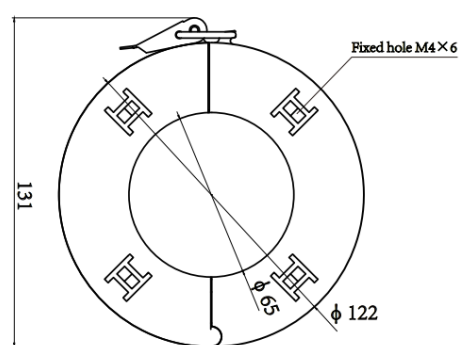
Current transducer 800A

Specification

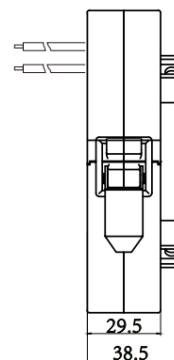
Working voltage	Phase voltage ≤ 720
Working temperature	$-30\text{ }^{\circ}\text{C} \sim 70\text{ }^{\circ}\text{C}$
Frequency range	50 Hz \sim 60 Hz
Input current	600 A
Accuracy	$\pm 1\%$
Max cable diameter	65 mm
Weight	592 g



Dimensions: (in:mm ± 0.5)



Front view



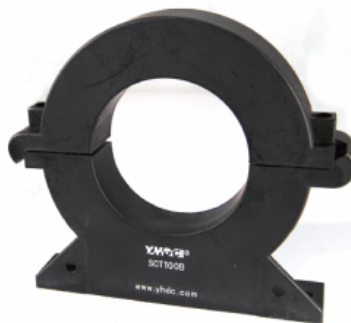
Side view

Figure 6 Current transducer 800A with dimensions. www.poweruc.pl

Current transducer 1000A

Specification

Working voltage	Phase voltage ≤ 720
Working temperature	$-20\text{ }^{\circ}\text{C} \sim 60\text{ }^{\circ}\text{C}$
Frequency range	50 Hz \sim 1k Hz
Input current	1000 A
Accuracy	$\pm 1\%$
Max cable diameter	100 mm
Weight	1070 g



Outline size: (in:mm \pm 0.5)

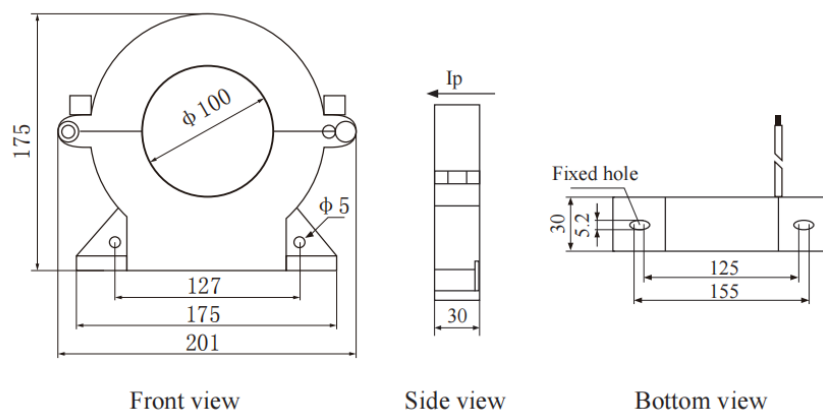


Figure 7 Current transducer 1000A with dimensions. www.poweruc.pl