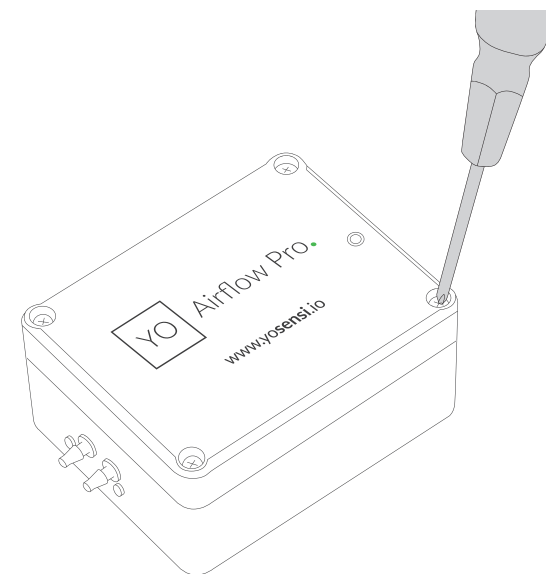


6. Status, colour and behaviour of the diode (if the device is properly connected):

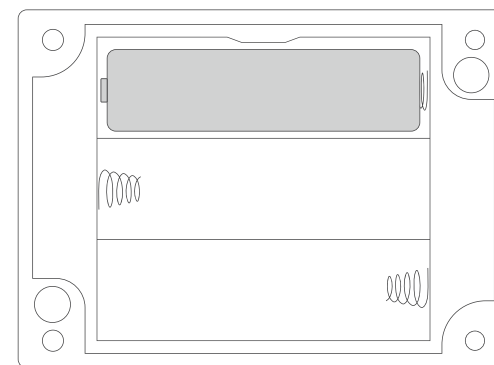
- Device is working correctly (power and memory) - single GREEN flash
- Device is working incorrectly (power and memory) - single RED flash
- Connecting to LoRaWAN - flashing BLUE
- LoRaWAN frame sent - single WHITE flash  
Confirmation from the server after receiving the frame - single  
WHITE flash
- Frame failed to confirm within specified timeout - single RED flash
- LoRaWAN Disconnected - flashing BLUE
- Connecting to BLE - flashing BLUE



1. Unscrew the device: remove 4 screws from the enclosure.

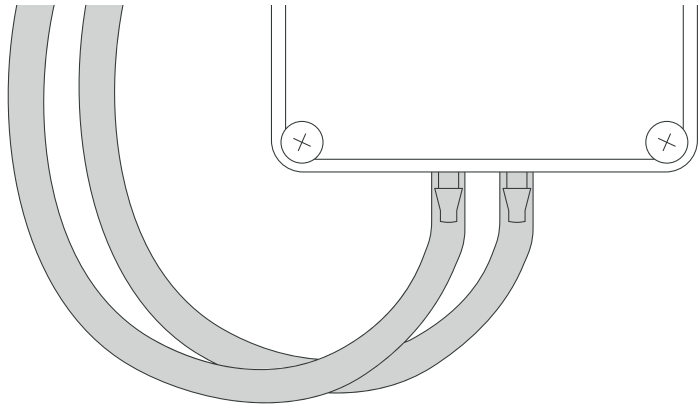


2. Place three AA batteries in the device according to the polarity.

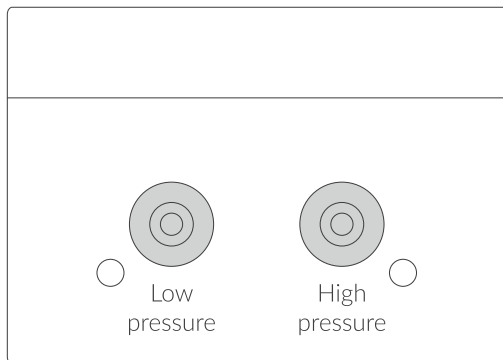


3. The device is on. Screw it back together.

4. Insert the silicone tubing onto the sensor inputs.



**!** **Important!** The sensors must be placed according to the following diagram, i.e. the sensor measuring the higher pressure must be placed on the right side and the one measuring the lower pressure on the left side:



5. Place the brackets in accordance with their use:

- The sensor measuring the higher pressure must be placed where the higher pressure occurs
- The sensor measuring the lower pressure must be placed where the pressure is lower

Differential pressure data at the diagnosed location can be obtained by placing the sensors appropriately.

