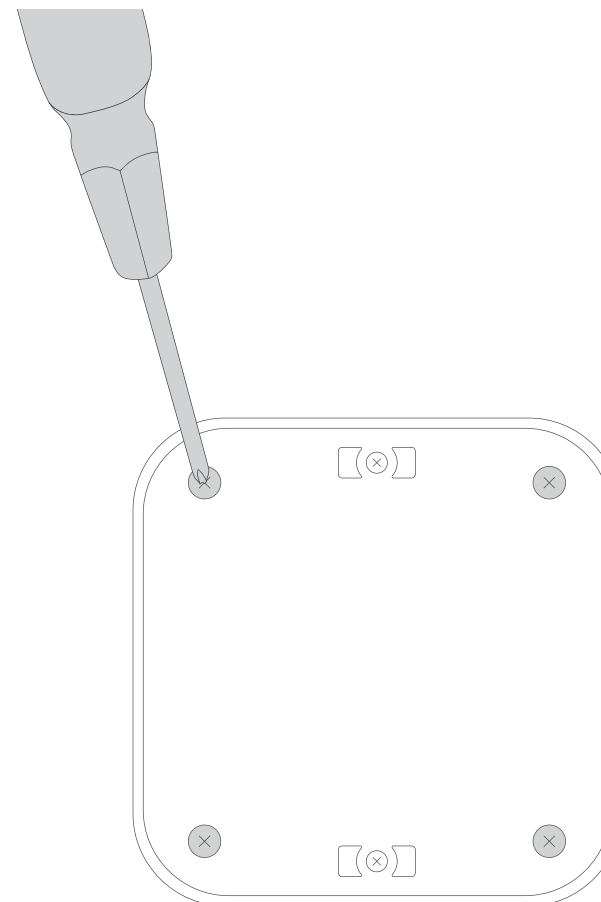


6. Status, colour and behaviour of the diode (if the device is properly connected):

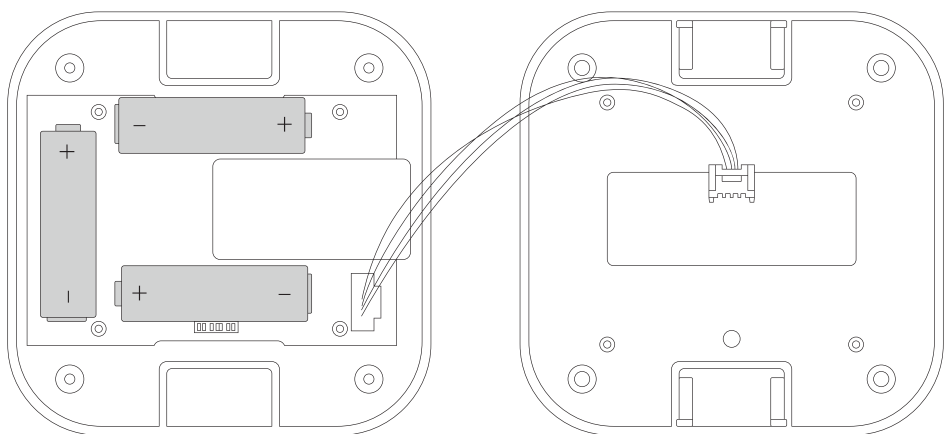
- Device is working correctly (power and memory) - single GREEN flash
- Device is working incorrectly (power and memory) - single RED flash
- Connecting to LoRaWAN - flashing BLUE
- LoRaWAN frame sent - single WHITE flash
Confirmation from the server after receiving the frame - single WHITE flash
- Frame failed to confirm within specified timeout - single RED flash
- LoRaWAN Disconnected - flashing BLUE
- Connecting to BLE - flashing BLUE



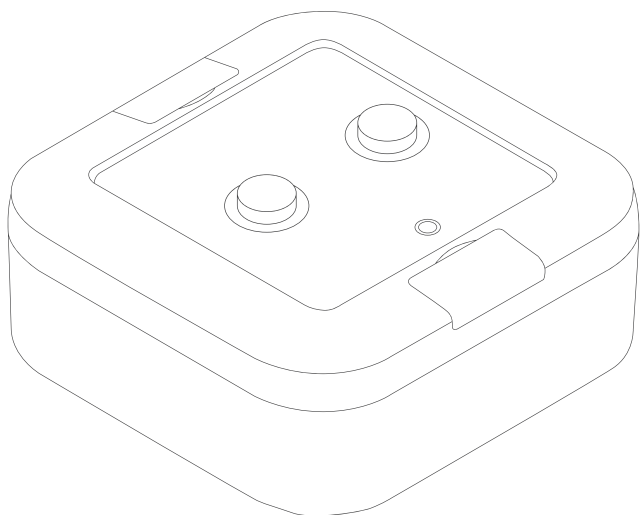
1. Unscrew the device: remove 4 screws from the enclosure.
Gently disassemble the device (the cover and bottom of the device are connected via cable).



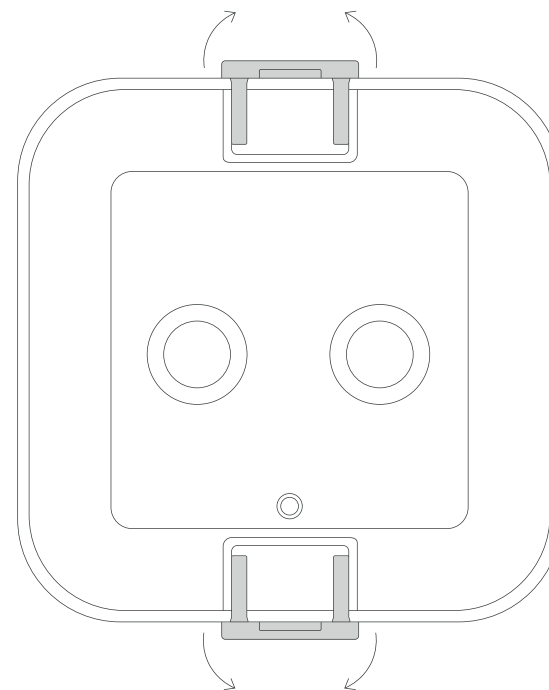
2. Place 3 AA batteries in the device according to the polarity marked on the PCB.



3. The device is on. Screw it back together.



4. Remove the caps, place the device on its mounting location and mount it using the appropriate screws or bolts.



5. The device is suitable for horizontal mounting. It is recommended that it be placed in the centre of the cover (ceiling) of the water tank, so that the distance from the tank walls is the same on each side.

