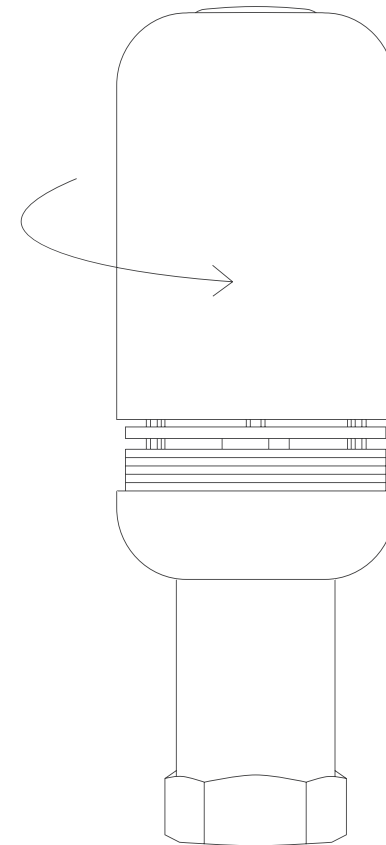
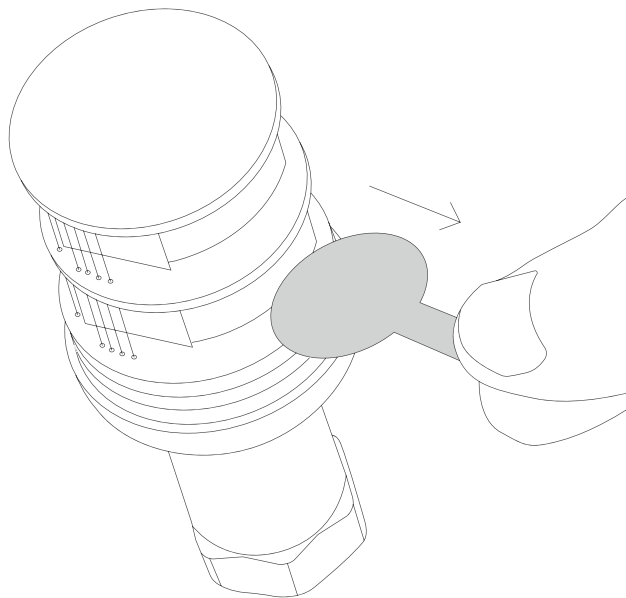
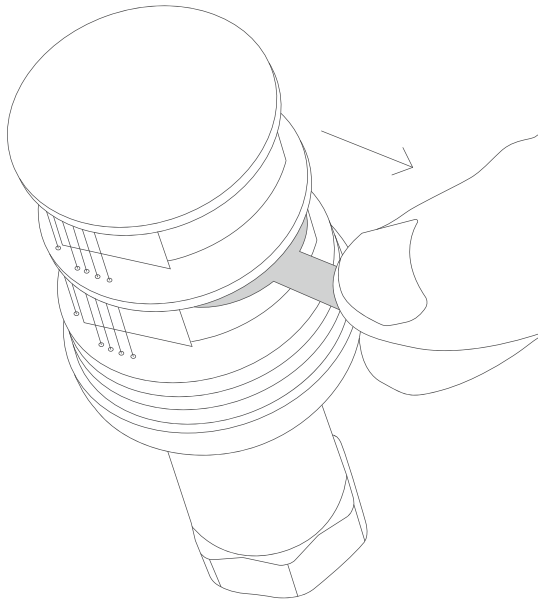




1. Unscrew the device enclosure.



2. Hold the battery and pull out the green leaf.



3. The device is on. Screw it back together.

4. Screw the sensor into the installation with a wrench (25 mm / 1"). Do not rotate the enclosure when screwing.

